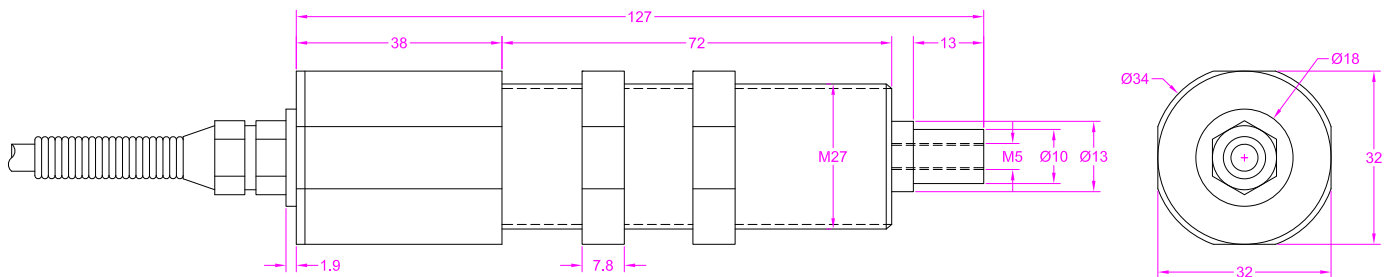
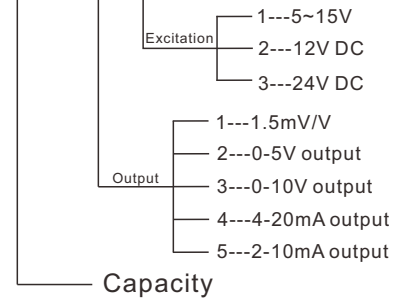




Ordering code

FZAD-50N-2-2



--- Specifications / 规格参数 ---

Capacity/量程	10/20/50/100/200/300/500 N		
Rated Output 额定输出	1.5mV/V	Excitation 激励电压	5-15V
	0-5V/2-10mA		12V DC
	0-5V/0-10V/ 4-20mA		24V DC
Zero Balance 零点输出	±5% of R.O.	Temp. Shift Zero 零点温度漂移	±0.05% of R.O./°C
Nonlinearity 非线性	±0.5% of R.O.	Temp. Shift Span 灵敏度温度漂移	±0.02% of R.O./°C
Hysteresis 滞后	±0.5% of R.O.	Input Resistance 输入阻抗	690±100Ω
Nonrepeatability 非重复性	±0.2% of R.O.	Output Resistance 输出阻抗	650±10Ω
Creep(5min) 蠕变	±0.1% of R.O.	Insulation Resistance 绝缘阻抗	>2000MΩ(50V)
Safe Overload 安全过载	120% of F.S.	Ingress Protection 防护等级	IP50
Operating Temp. 工作温度范围	-20...+60°C	Material of Element 弹性体材料	Stainless steel 不锈钢
Cable 导线	Ø5*2000mm 4-core shielded cable Ø5*2000mm 4芯屏蔽线		
R.O.=Rated Output/额定输出 F.S.=Full Scale/满量程			

• Subject to change without notice / 如有更改,不另行通知